



LED Spot Track Performer

Features

- Multiple beam angle options: 10°, 15°, 20°, or 30°
- Tilt 180°, rotate 355°
- No UV radiation
- Energy efficient

Benefits

- Accommodate different display sizes and ceiling heights
- Light where you need it
- Prevents color distortion, won't damage cloth or artwork
- Up to 50% energy savings compared to CDM

Application



Hotel



Retail



Shopping Mall

Specification

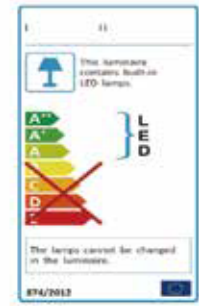
Order Name	Power (W)	Power Factor	Lumen (lm)	Efficacy (lm/W)	Input Current (mA)	CRI	UGR	CCT (K)	Lifetime (L70B50)
TR30WW-WH	30	0.95	1900	T63	150	>80	16	3000	30000hrs
TR30WC-WH	30	0.95	1900	63	150	>80	16	4000	30000hrs
TR30WD-WH	30	0.95	1900	63	150	>80	16	5700	30000hrs
TR30WW-BK	30	0.95	1900	63	150	>80	16	3000	30000hrs
TR30WC-BK	30	0.95	1900	63	150	>80	16	4000	30000hrs
TR30WD-BK	30	0.95	1900	63	150	>80	16	5700	30000hrs
TR45WW-WH	45	0.95	3400	76	230	>80	16	3000k	30000hrs
TR45WC-WH	45	0.95	3400	76	230	>80	16	4000k	30000hrs
TR45WD-WH	45	0.95	3400	76	230	>80	16	5700k	30000hrs
TR45WW-BK	45	0.95	3400	76	230	>80	16	3000k	30000hrs
TR45WC-BK	45	0.95	3400	76	230	>80	16	4000k	30000hrs
TR45WD-BK	45	0.95	3400	76	230	>80	16	5700k	30000hrs

Accessory information

Accessories	Length(mm)	Weight(pc/kg)	MOQ (pcs)	Picture
140001813	LG310/WH/C	100	White	100
140001814	LG310/BK/C	100	Black	100
140001815	LG315/WH/C	150	White	100
140001816	LG315/BK/C	150	Black	100
140001817	LG320/WH/C	200	White	100
140001818	LG320/BK/C	200	Black	100
140001825	3LGB/I/WH	/	White	100
140001826	3LGB/I/BK	/	Black	100
140001821	3LGB/L/WH	/	White	100
140001822	3LGB/L/BK	/	Black	100
140001823	3LGB/T/WH	/	White	100
140001824	3LGB/T/BK	/	Black	100
140001819	3LGB+/WH	/	White	100
140001820	3LGB+/BK	/	Black	100

Technical Specifications	
On / Off Cycles	50,000
Colour Consistency (SDCM)	6
Dimmable	No
Beam Angle (°)	10/15/20/30
Finishing Colour	White/Black
IP	20
Driver Integrated (Yes/No)	Yes
Glow Wire Test	650°C
Driver Failure Rate	1% at 5000h
Weight (kg/pc)	1.02

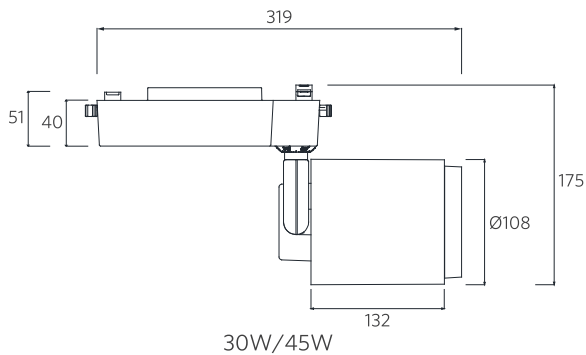
Electrical Supply	
Frequency (Hz)	50 / 60
Voltage (V)	220-240
AC/DC	AC
Mechanical Properties	
Housing Material	Aluminum
Optical Material	PC
Application Conditions	
Operating Temperature	-10-40°C
Application Temperature	25°C
Storage Environment	-25-50°C



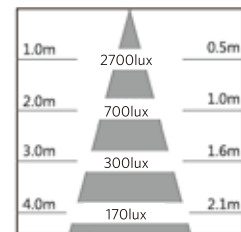
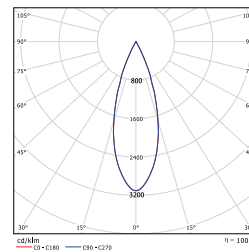
Packaging Information

Order Name	Single Box(1pc/box)		Packaging Unit	
	Dimensions(mm) (LxWxH)	Gross Weight (kg)	Dimensions(mm) (LxWxH)	Gross Weight (kg)
TR30WW-WH	222*180*122	1.3	510*375*245	10.42
TR30WC-WH	222*180*122	1.3	510*375*245	10.42
TR30WD-WH	222*180*122	1.3	510*375*245	10.42
TR30WW-BK	222*180*122	1.3	510*375*245	10.42
TR30WC-BK	222*180*122	1.3	510*375*245	10.42
TR30WD-BK	222*180*122	1.3	510*375*245	10.42
TR45WW-WH	222*180*122	1.3	510*375*245	10.42
TR45WC-WH	222*180*122	1.3	510*375*245	10.42
TR45WD-WH	222*180*122	1.3	510*375*245	10.42
TR45WW-BK	222*180*122	1.3	510*375*245	10.42
TR45WC-BK	222*180*122	1.3	510*375*245	10.42
TR45WD-BK	222*180*122	1.3	510*375*245	10.42

Dimensional Drawing



Photometric Data



30°(30W/45W)